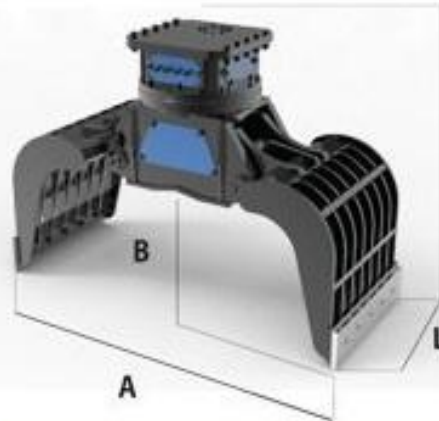
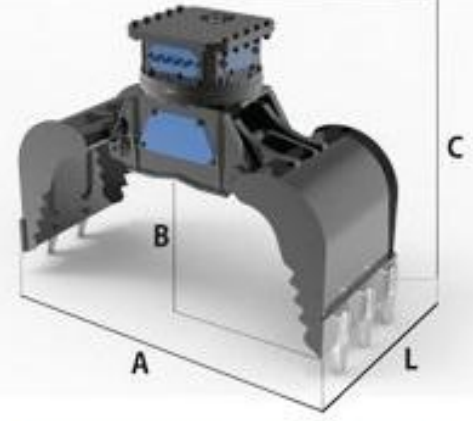


GR + Standard Jaws



GR + Demolition Jaws



GR + Teeth Jaws

Model		GR15	GR25	GR45	GR75	GR100	GR150	GR200	GR350	GR600
	t lb	1.5/4 3300/8800	4/7 8800/15400	5/12 11000/26400	7/16 15400/35200	13/19 28600/41800	17/30 37400/66100	30/50 66100/110200	35/60 77100/132200	50/80 110200/176300
	kg lb	145 319	240 529	380 837	700 1543	1000 2204	1500 3306	2010 4431	2390 5269	4165 9182
	l/min gpm	15 4	20 5	25 6	45 12	50 13	75 19	75 19	75 19	75 19
	bar psi	200 2900	200 2900	200 2900	210 3045	300 4351	300 4351	300 4351	300 4351	300 4351
	° °	360 360	360 360	360 360	360 360	360 360	360 360	360 360	360 360	360 360
	l/min gpm	2 0.5	2 0.5	2 0.5	15 4	30 8	30 8	30 8	30 8	30 8
	bar psi	100 0.5	20 0.5	20 0.5	20 4	60 8	60 8	60 8	60 8	60 8
A	mm inch	925 36	1170 46	1500 59	1635 64	1780 70	1950 76	2325 91	2325 91	2700 106
B	mm inch	300 11	370 14	470 18	520 20	570 22	675 26	1480 58	1495 58	1820 71
C	mm inch	685 27	825 32	1045 41	1130 44	1225 47	1550 61	/ /	/ /	/ /
L	mm inch	400 15	500 19	600 23	700 27	800 31	1020 40	1250 49	1400 55	1500 59